

VILLAGE OF GILBERTS

RESOLUTION 04-2024

A RESOLUTION AUTHORIZING APPROVAL OF AN AGREEMENT WITH GJOVIK FORD, INC. FOR THE PURCHASE OF A PUBLIC WORKS FORD F-750 IN AN AMOUNT NOT TO EXCEED \$88,000

WHEREAS, the Village of Gilberts (“Village”) has a Public Works Department, which maintains Village streets and other Village infrastructure, which activities include snow removal operations; and

WHEREAS, the Village currently maintains a fleet of Ford trucks and snow plowing equipment; and

WHEREAS, the Village has funds in the CY2024 Budget for the purchase of a new Ford F-750 as part of the Village’s equipment Capital Improvement Plan;

WHEREAS, due to ongoing inventory challenges, the Village sought out geographically close dealerships with available inventory with Gjovik Ford, Inc. being the most responsive;

THEREFORE, BE IT RESOLVED BY THE PRESIDENT AND BOARD OF TRUSTEES OF THE VILLAGE OF GILBERTS, ILLINOIS, as follows:

Section 1. Recitals. The recitals set forth above are hereby incorporated into and made a part of this Resolution as though set forth in this Section 1.

Section 2. Approval; Authorization. The Village Board of Trustees hereby authorizes the Village Administrator to execute the necessary documents to facilitate the purchase 2024 Ford F-750 for the Public Works Department from Gjovik Ford, Inc. in an amount not to exceed \$88,000.

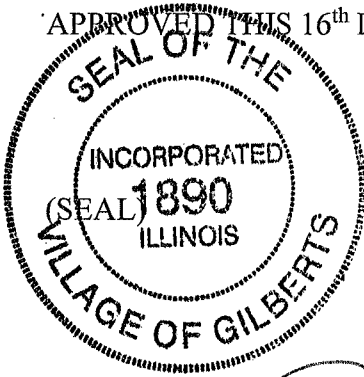
Section 3. Waiver of Competitive Bidding. To the extent any competitive bidding requirements apply to the purchase of the 2024 Ford F-750 from Gjovik Ford, Inc., such competitive bidding requirements are hereby waived pursuant to Section 8-9-1 of the Illinois Municipal Code (65 ILCS 5/8-9-1).

Section 4. Effective Date. This Resolution shall be in full force and effect after its approval in the manner provided by law.

PASSED BY VOTE OF THE BOARD OF TRUSTEES of the Village of Gilberts, Kane County, Illinois, this 16th day of January, 2024.

	<u>Ayes</u>	<u>Nays</u>	<u>Absent</u>	<u>Abstain</u>
Trustee Robert Vanni	<u>X</u>	_____	_____	_____
Trustee Robert Chapman	_____	_____	<u>X</u>	_____
Trustee Justin Redfield	<u>X</u>	_____	_____	_____
Trustee Jeanne Allen	<u>X</u>	_____	_____	_____
Trustee Frank Marino	_____	_____	<u>X</u>	_____
Trustee Brandon Coats	_____	_____	<u>X</u>	_____
President Guy Zambetti	<u>X</u>	_____	_____	_____

APPROVED THIS 16th DAY OF JANUARY, 2024





Guy Zambetti, Village President

ATTEST: 

Lynda Lange, Village Clerk

Prepared for: Wade Kretsinger, Village of Gilberts
Gilberts, IL
Office: 847-428-2861
Email: wkretsinger@villageofgilberts.com

2024 F-750 Diesel Regular Cab Base (F7D)
Price Level: 425

Client Proposal

Prepared by:
Michael Allison
Office: 815-786-3333
Quote ID: Stk9261
Date: 12/19/2023



Gjovik Ford, Inc. | 12950 E. US Route 34, Plano, Illinois, 60545
Office: 815-786-3333

Prepared for: Wade Kretsinger

Village of Gilberts

Prepared by: Michael Allison

12/19/2023



Gjovik Ford, Inc. | 12950 E. US Route 34 Plano Illinois | 60545

2024 F-750 Diesel Regular Cab Base (F7D)

Price Level: 425 | Quote ID: Stk9261

Wade Kretsinger, Village of Gilberts

Gilberts, IL

Office: 847-428-2861

Email: wkretsinger@villageofgilberts.com

Re: Quote ID Stk9261 12/19/2023

Dear Wade,

Thank you very much for this opportunity.

Sincerely,

Michael Allison

Commercial Account Manager

Prepared for: Wade Kretsinger

Village of Gilberts

Prepared by: Michael Allison

12/19/2023



Gjovik Ford, Inc. | 12950 E. US Route 34 Plano Illinois | 60545

2024 F-750 Diesel Regular Cab Base (F7D)

Price Level: 425 | Quote ID: Stk9261

Table of Contents

Description	Page
Cover Page	1
Cover Letter	2
Table of Contents	3
As Configured Vehicle	4
Pricing Summary - Single Vehicle	10
Window Sticker	11
Vehicle Dimension and Performance	16

Prepared for: Wade Kretsinger

Village of Gilberts

Prepared by: Michael Allison

12/19/2023



Gjovik Ford, Inc. | 12950 E. US Route 34 Plano Illinois | 60545

2024 F-750 Diesel Regular Cab Base (F7D)

Price Level: 425 | Quote ID: Stk9261

As Configured Vehicle

Code	Description	MSRP
Base Vehicle		
F7D	Base Vehicle Price (F7D)	\$79,655.00
Engines		
99E	6.7L Power Stroke V8 Turbo Diesel - 300 HP @ 2500 RPM	\$1,995.00
	Includes Engine Exhaust Brake and manual regen capability. Torque: 725 ft.lbs. @ 1500 rpm.	
	<i>Governed RPM: 3300. Includes CARB clean idle label - may be removed if un-necessary.</i>	
425	50-State Emissions	N/C
41H	Engine Block Heater, Phillips, 120 Volt/750 Watt	\$155.00
	<i>Includes removable grille cover.</i>	
Transmissions		
44D	Ford TorqShift HD 10-Speed Automatic - with PTO Provision	STD
	<i>Includes tow/haul.</i>	
Front Wheels & Tires		
643	Wheels, Front 22.5x8.25 White Powder Coated Steel, 10-Hole	STD
	<i>(285.75MM BC) hub piloted, flanged nut, metric mount, 8.25 DC rims; with steel hubs.</i>	
T2B	Tires, Front Two 11R22.5G Goodyear Fuel Max RSA (497 rev/mile)	STD
Rear Wheels & Tires		
663	Wheels, Rear 22.5x8.25 White Powder Coated Steel, 10-Hole	STD
	<i>(285.75MM BC) hub piloted, flanged nut, metric mount, 8.25 DC rims; with steel hubs.</i>	
R2G	Tires, Rear Four 11R22.5G Goodyear Fuel Max RTD (493 rev/mile)	\$140.00

Prices and content availability as shown are subject to change and should be treated as estimates only. Actual base vehicle, package and option pricing may vary from this estimate because of special local pricing, availability or pricing adjustments not reflected in the dealer's computer system. See salesperson for the most current information.

Note: Prices are good for 10 days from published date.

Prepared for: Wade Kretsinger

Village of Gilberts

Prepared by: Michael Allison

12/19/2023



Gjovik Ford, Inc. | 12950 E. US Route 34 Plano Illinois | 60545

2024 F-750 Diesel Regular Cab Base (F7D)

Price Level: 425 | Quote ID: Stk9261

As Configured Vehicle (cont'd)

Code	Description	MSRP
------	-------------	------

Brakes

67A	Air Brakes (4 WHEEL DRUM) - Straight Truck w/Traction Control	N/C
-----	--	-----

Meritor Q-Plus with ABS, Bendix Anti-Lock Brake System, 4-channel. Includes 15" x 4" front brakes, dual direct reading air pressure gauges, brake lines color coded nylon, Bendix 13.2 CFM capacity air compressor, instrument panel mounted yellow knob parking brake control valve, automatic slack adjusters front and rear, two rear spring parking air brake chambers mounted on front of rear axle, three drain valves and two air tanks (Reference Body Builders Book for location). Rear brake size and components dependent upon axle selection. Uses existing ABS system to minimize wheel slipping during acceleration. Usage determined by the air brake package selected. (Not recommended with Hi-Rail Train Systems). Deletes hand operated park brake lever.

Includes:

- Air Dryer, Bendix AD/IS w/Heater

- Mounted left frame rail (for Hydraulic brake diesel applications that include air suspension or stand alone engine air compressor).

67D	Air Brakes (4 WHEEL DISC) w/Traction Control	\$3,755.00
-----	---	------------

Deletes hand operated park brake lever.

Includes:

- Air Dryer, Bendix AD/IS w/Heater

- Mounted left frame rail (for Hydraulic brake diesel applications that include air suspension or stand alone engine air compressor).

18A	Electronic Stability Control DELETE	-\$290.00
-----	-------------------------------------	-----------

Deletes the standard ESC feature.

62D	Air Dryer, Bendix AD/IS w/Heater	Included
-----	----------------------------------	----------

Mounted left frame rail (for Hydraulic brake diesel applications that include air suspension or stand alone engine air compressor).

159	Trailer Connection Socket - 7-Way, Wired for Turn Signals Combined with Stop	\$100.00
-----	--	----------

Mounted at rear of frame, for combined trailer stop, tail, turn (compatible with trailers that use combined stop, tail, turn lights).

Front Axle and Suspension

43N	10,000 lb. Cap. Non-Driving - Dana E-1002I - I-Beam Type	STD
-----	---	-----

61C	Taper-Leaf Springs, Parabolic - 10,000 lb. Cap	STD
-----	---	-----

2-leaf, 62" x 3.15". Also includes, standard duty, dual, double acting shock absorbers.

15S	Front Stabilizer Bar	\$490.00
-----	----------------------	----------

Prices and content availability as shown are subject to change and should be treated as estimates only. Actual base vehicle, package and option pricing may vary from this estimate because of special local pricing, availability or pricing adjustments not reflected in the dealer's computer system. See salesperson for the most current information.

Note: Prices are good for 10 days from published date.

Prepared for: Wade Kretsinger

Village of Gilberts

Prepared by: Michael Allison

12/19/2023



Gjovik Ford, Inc. | 12950 E. US Route 34 Plano Illinois | 60545

2024 F-750 Diesel Regular Cab Base (F7D)

Price Level: 425 | Quote ID: Stk9261

As Configured Vehicle (cont'd)

Code	Description	MSRP
60A	Lube, Front Axle, EmGard 50W, Synthetic Oil	\$50.00
Rear Axle and Suspension		
475	21,000 lb. Single Reduction - Open - Dana / Spicer 21060S	STD
<i>NOTE: When specifying an axle ratio, check performance guidelines for startability and gradeability.</i>		
68R	Multi-Leaf Springs - 23,000 lb. Cap <i>11-leaf. Includes 2,000 lb auxiliary springs for load stabilization.</i>	\$230.00
607	Lube, Rear Axle, EmGard 75W-90, Synthetic Oil	\$100.00
X6D	6.50 Axle Ratio	N/C
Wheelbase		
158WB	158" Wheelbase/84" CA/49" AF/246" OAL	STD
Frame		
539	Single Channel - Straight 'C' 20.11 SM, 120,000 PSI <i>2,413,200 RBM. Heat treated alloy steel; 10.375" x 3.705" x 0.438" (263.5mm x 94.1mm x 11.1mm).</i>	\$1,075.00
765	Bumper, Front - Full Width, Chrome Plated Steel - (Included in (90E) Exterior Appearance Group)	Included
86C	Chrome Grille Surround - (Included in (90E) Exterior Appearance Group)	Included
Exhaust		
91G	Under Cab, Right Side Outlet, Switchback-Style <i>Single, horizontal muffler, right side, under cab, outside of frame rail with rear discharge.</i>	STD
Fuel Tanks		

Prices and content availability as shown are subject to change and should be treated as estimates only. Actual base vehicle, package and option pricing may vary from this estimate because of special local pricing, availability or pricing adjustments not reflected in the dealer's computer system. See salesperson for the most current information.

Note: Prices are good for 10 days from published date.

Prepared for: Wade Kretsinger

Village of Gilberts

Prepared by: Michael Allison

12/19/2023



Gjovik Ford, Inc. | 12950 E. US Route 34 Plano Illinois | 60545

2024 F-750 Diesel Regular Cab Base (F7D)

Price Level: 425 | Quote ID: Stk9261

As Configured Vehicle (cont'd)

Code	Description	MSRP
65B	Fuel Tank - LH 50 Gallon Rectangular - Aluminum	STD
Electrical / Alternator / Battery		
STDALT	Extra Heavy Duty Alternator - 12-Volt, 200 Amp Denso SC5	Included
55M	Jump Start Stud - Remote Mounted	\$90.00
63B	Battery - Two 900 CCA, 1800 Total, Includes Steel Battery Box <i>12Volt, Motorcraft.</i>	\$60.00
16V	Voltmeter <i>Available in message center.</i>	\$100.00
Seats		
88G	30/70 Air Ride Driver (External Air Source) & Fixed 2-Passenger Bench - Vinyl	\$395.00
Cab Interior		
600A	Preferred Equipment Package 600A <i>Includes:</i> - Wheel Seals, Front - Oil lubricated, SKF ScotSeal PlusXL Seals - Wheel Seals, Rear - Oil lubricated, SKF ScotSeal PlusXL Seals - Manual Regen Initiation - Driver Interface in Message Center - Engine Exhaust Brake - Extra Heavy Duty Alternator - 12-Volt, 200 Amp Denso SC5 - Lights - Roof Marker/Clearance - Amber Lenses, 5 Lights - Tow Hooks, Front (2) - Frame-Mounted, Painted Black - Four Body Builder Switches - Mounted in Center Instrument Panel <i>With connector access located in engine compartment. Amperages vary by switch: 10, 15, 25, 25.</i> - Floor Covering - Black Vinyl - Intelligent Oil Life Monitor - Steering Column - Tilt / Telescoping - Steering Wheel - Black PVC w/Integral Cruise Control Switches, includes Audio Controls - Body Builder Wiring - At Back of Cab, Combined <i>Includes sealed connectors for 2 ground circuits, with combined left/stop, combined right/stop, park lamps, back up lamps. Also includes 2 additional pass through wires to cab.</i>	N/C
90A	Appearance Group <i>Includes front-mounted overhead console with dual sunglass bins and integral front map reading lights.</i> <i>Includes:</i>	\$735.00

Prices and content availability as shown are subject to change and should be treated as estimates only. Actual base vehicle, package and option pricing may vary from this estimate because of special local pricing, availability or pricing adjustments not reflected in the dealer's computer system. See salesperson for the most current information.

Note: Prices are good for 10 days from published date.

Prepared for: Wade Kretsinger

Village of Gilberts

Prepared by: Michael Allison

12/19/2023



Gjovik Ford, Inc. | 12950 E. US Route 34 Plano Illinois | 60545

2024 F-750 Diesel Regular Cab Base (F7D)

Price Level: 425 | Quote ID: Stk9261

As Configured Vehicle (cont'd)

Code	Description	MSRP
	- Chrome Trimmed Air Registers w/Positive Shut-Off - Power Equipment Group - (Included in (90A) Appearance Group) Includes power front side windows, power door locks and door trim panel.	
17W	Wi-Fi 4G LTE Hotspot Delete	-\$20.00
90P	Power Equipment Group - (Included in (90A) Appearance Group) Includes power front side windows, power door locks and door trim panel.	Included
55P	110 A/C Outlet - in Lower Center Finish Panel	\$100.00
588	Radio: AM/FM Stereo w/2 Speakers, USB input, Clock Display and Bluetooth	STD
Cab Exterior		
90E	Exterior Appearance Group Includes: - Bumper, Front - Full Width, Chrome Plated Steel - (Included in (90E) Exterior Appearance Group) - Chromed Fender Badge - Chrome Grille Surround - (Included in (90E) Exterior Appearance Group)	\$730.00
54A	Mirrors, Dual - Heated & Motorized Rectangular, XL2020 - 96" Width w/Chrome Cap Integral spot mirror, sail type.	\$305.00
165	Mud Flap Holder Without Flaps	\$95.00
Miscellaneous		
PAINT	Paint Type - Environmentally Friendly, "3 - Wet System"	STD
Exterior Color		
YZ_01	Oxford White	N/C
Interior Color		
E_01	Gray	N/C
SUBTOTAL		\$90,045.00

Prices and content availability as shown are subject to change and should be treated as estimates only. Actual base vehicle, package and option pricing may vary from this estimate because of special local pricing, availability or pricing adjustments not reflected in the dealer's computer system. See salesperson for the most current information.

Note: Prices are good for 10 days from published date.

Prepared for: Wade Kretsinger

Village of Gilberts

Prepared by: Michael Allison

12/19/2023



Gjovik Ford, Inc. | 12950 E. US Route 34 Plano Illinois | 60545

2024 F-750 Diesel Regular Cab Base (F7D)

Price Level: 425 | Quote ID: Stk9261

As Configured Vehicle (cont'd)

Code	Description	MSRP
	Fuel Charge (12)	\$0.00
	Destination Charge	\$2,495.00
TOTAL		\$92,540.00

Prices and content availability as shown are subject to change and should be treated as estimates only. Actual base vehicle, package and option pricing may vary from this estimate because of special local pricing, availability or pricing adjustments not reflected in the dealer's computer system. See salesperson for the most current information.

Note: Prices are good for 10 days from published date.

Prepared for: Wade Kretsinger

Village of Gilberts

Prepared by: Michael Allison

12/19/2023



Gjovik Ford, Inc. | 12950 E. US Route 34 Plano Illinois | 60545

2024 F-750 Diesel Regular Cab Base (F7D)

Price Level: 425 | Quote ID: Stk9261

Pricing Summary - Single Vehicle

	MSRP
<i>Vehicle Pricing</i>	\$92,540.00
Subtotal	\$92,540.00

Pre-Tax Adjustments

Code	Description	MSRP
Discount	Government Fleet discount	-\$6,310.00
Doc	Documentry fee	\$347.26
K Plate	Municipal M Plate	\$884.00
Total		\$87,461.26

Customer Signature

Acceptance Date

Prices and content availability as shown are subject to change and should be treated as estimates only. Actual base vehicle, package and option pricing may vary from this estimate because of special local pricing, availability or pricing adjustments not reflected in the dealer's computer system. See salesperson for the most current information.

Note: Prices are good for 10 days from published date.

Prepared for: Wade Kretsinger

Village of Gilberts

Prepared by: Michael Allison

12/19/2023



Gjovik Ford, Inc. | 12950 E. US Route 34 Plano Illinois | 60545

2024 F-750 Diesel Regular Cab Base (F7D)

Price Level: 425 | Quote ID: Stk9261

Major Equipment

(Based on selected options, shown at right)

10-speed automatic

- * Side assist steps
- * White rear wheels
- * Disc rear wheel
- * Front tires LT load rating: G
- * Overdrive transmission
- * Transmission electronic control
- * Alternator Amps: 200A
- * Low-speed ABS traction control
- * Dual lead acid battery
- * Engine block heater
- * Auxiliary power take-off
- * Steering wheel mounted audio controls
- * AM/FM stereo radio
- * Auxiliary input jack
- * Vehicle body length: 246.0"
- * Cab to axle: 84.0"
- * Axle capacity rear: 21,000 lbs.
- * Axle capacity front: 10,000 lbs.
- * Standard ride suspension

Exterior: Oxford White

Interior: Gray

- * White front wheels
- * Steel rear wheels
- * 22.5 x 8.25-inch front and dual rear wheels
- * English measure truck 279/82R22.5 AS BSW front and rear tires
- * Lock-up transmission
- * PTO transmission provision
- * Aluminized steel single exhaust
- * Battery rating: 180CCA
- * Battery run down protection
- * Fuel/water separator
- * Engine retarder system
- * Wireless audio streaming
- * Seek scan
- * External memory control
- * Wheelbase: 158.0"
- * Axle to end of frame: 49.0"
- * Tire/wheel capacity rear: 23,360 lbs.
- * Spring rating front: 10,000 lbs.
- * Dual electric horn

As Configured Vehicle

MSRP

STANDARD VEHICLE PRICE	\$79,655.00
Preferred Equipment Package 600A	N/C
50-State Emissions	N/C
Ford TorqShift HD 10-Speed Automatic - with PTO Provision	STD
Wheels, Front 22.5x8.25 White Powder Coated Steel, 10-Hole	STD
Tires, Front Two 11R22.5G Goodyear Fuel Max RSA (497 rev/mile)	STD
Wheels, Rear 22.5x8.25 White Powder Coated Steel, 10-Hole	STD
10,000 lb. Cap. Non-Driving - Dana E-1002I - I-Beam Type	STD
Taper-Leaf Springs, Parabolic - 10,000 lb. Cap	STD
21,000 lb. Single Reduction - Open - Dana / Spicer 21060S	STD
158" Wheelbase/84" CA/49" AF/246" OAL	STD
Under Cab, Right Side Outlet, Switchback-Style	STD
Fuel Tank - LH 50 Gallon Rectangular - Aluminum	STD
14 Gal. Single Tank Fuel Fill. Mandatory Charge Applied, Based On Tank Selection	\$0.00

Prices and content availability as shown are subject to change and should be treated as estimates only. Actual base vehicle, package and option pricing may vary from this estimate because of special local pricing, availability or pricing adjustments not reflected in the dealer's computer system. See salesperson for the most current information.

Note: Prices are good for 10 days from published date.

Prepared for: Wade Kretsinger

Village of Gilberts

Prepared by: Michael Allison

12/19/2023



Gjovik Ford, Inc. | 12950 E. US Route 34 Plano Illinois | 60545

2024 F-750 Diesel Regular Cab Base (F7D)

Price Level: 425 | Quote ID: Stk9261

Major Equipment

- * Trip computer
- * Heated driver and passenger side door mirrors
- * DRL preference setting
- * Light tinted windows
- * Speed sensitive wipers
- * Bucket driver seat
- * Low driver seat back
- * 4 driver seats way-direction
- * Two person benchfront seat
- * 4 passenger seats way-direction
- * Driver seat armrest
- * Vinyl front seat upholstery
- * Air brake system
- * Power door mirrors
- * Manual folding door mirrors
- * Daytime running lights
- * Variable intermittent front windshield wipers
- * Manual climate control
- * Folding driver seat back
- * Driver seat air suspension
- * Manual fore/aft
- * Low passenger seat back
- * Manual fore/aft
- * Front seat center armrest
- * Carpet front seatback upholstery
- * 4-wheel antilock (ABS) brakes

As Configured Vehicle

MSRP

- Extra Heavy Duty Alternator - 12-Volt, 200 Amp Denso SC5 Included
- Radio: AM/FM Stereo w/2 Speakers, USB input, Clock Display and Bluetooth STD
- Paint Type - Environmentally Friendly, "3 - Wet System" STD
- Wheel Seals, Front - Oil lubricated, SKF ScotSeal PlusXL Seals Included
- Wheel Seals, Rear - Oil lubricated, SKF ScotSeal PlusXL Seals Included
- Manual Regen Initiation - Driver Interface in Message Center Included
- Engine Exhaust Brake Included
- Lights - Roof Marker/Clearance - Amber Lenses, 5 Lights Included
- Tow Hooks, Front (2) - Frame-Mounted, Painted Black Included
- Four Body Builder Switches - Mounted in Center Instrument Panel Included
- Floor Covering - Black Vinyl Included
- Intelligent Oil Life Monitor Included
- Steering Column - Tilt / Telescoping Included

Fuel Economy

City
N/A



Hwy
N/A

Prices and content availability as shown are subject to change and should be treated as estimates only. Actual base vehicle, package and option pricing may vary from this estimate because of special local pricing, availability or pricing adjustments not reflected in the dealer's computer system. See salesperson for the most current information.

Note: Prices are good for 10 days from published date.

Prepared for: Wade Kretsinger

Village of Gilberts

Prepared by: Michael Allison

12/19/2023



Gjovik Ford, Inc. | 12950 E. US Route 34 Plano Illinois | 60545

2024 F-750 Diesel Regular Cab Base (F7D)

Price Level: 425 | Quote ID: Stk9261

<u>As Configured Vehicle</u>	<u>MSRP</u>
Steering Wheel - Black PVC w/Integral Cruise Control Switches, Includes Audio Controls	Included
Body Builder Wiring - At Back of Cab, Combined	Included
6.7L Power Stroke V8 Turbo Diesel - 300 HP @ 2500 RPM	\$1,995.00
Tires, Rear Four 11R22.5G Goodyear Fuel Max RTD (493 rev/mile)	\$140.00
Trailer Connection Socket - 7-Way, Wired for Turn Signals Combined with Stop	\$100.00
Air Brakes (4 WHEEL DRUM) - Straight Truck w/Traction Control	N/C
Multi-Leaf Springs - 23,000 lb. Cap	\$230.00
Single Channel - Straight 'C' 20.11 SM, 120,000 PSI	\$1,075.00
Battery - Two 900 CCA, 1800 Total, Includes Steel Battery Box	\$60.00
Mirrors, Dual - Heated & Motorized Rectangular, XL2020 - 96" Width w/Chrome Cap	\$305.00
Oxford White	N/C
Electronic Stability Control DELETE	-\$290.00
Air Dryer, Bendix AD/IS w/Heater	Included
Engine Block Heater, Phillips, 120 Volt/750 Watt	\$155.00

Prices and content availability as shown are subject to change and should be treated as estimates only. Actual base vehicle, package and option pricing may vary from this estimate because of special local pricing, availability or pricing adjustments not reflected in the dealer's computer system. See salesperson for the most current information.

Note: Prices are good for 10 days from published date.

Prepared for: Wade Kretsinger

Village of Gilberts

Prepared by: Michael Allison

12/19/2023



Gjovik Ford, Inc. | 12950 E. US Route 34 Plano Illinois | 60545

2024 F-750 Diesel Regular Cab Base (F7D)

Price Level: 425 | Quote ID: Stk9261

<i>As Configured Vehicle</i>	MSRP
Front Stabilizer Bar	\$490.00
Lube, Rear Axle, EmGard 75W-90, Synthetic Oil	\$100.00
6.50 Axle Ratio	N/C
Lube, Front Axle, EmGard 50W, Synthetic Oil	\$50.00
Jump Start Stud - Remote Mounted	\$90.00
Appearance Group	\$735.00
Chrome Trimmed Air Registers w/Positive Shut-Off	Included
Power Equipment Group - (Included in (90A) Appearance Group)	Included
110 A/C Outlet - in Lower Center Finish Panel	\$100.00
Exterior Appearance Group	\$730.00
Bumper, Front - Full Width, Chrome Plated Steel - (Included in (90E) Exterior Appearance Group)	Included
Chromed Fender Badge	Included
Chrome Grille Surround - (Included in (90E) Exterior Appearance Group)	Included
Mud Flap Holder Without Flaps	\$95.00
Wi-Fi 4G LTE Hotspot Delete	-\$20.00
30/70 Air Ride Driver (External Air Source) & Fixed 2-Passenger Bench - Vinyl	\$395.00

Prices and content availability as shown are subject to change and should be treated as estimates only. Actual base vehicle, package and option pricing may vary from this estimate because of special local pricing, availability or pricing adjustments not reflected in the dealer's computer system. See salesperson for the most current information.

Note: Prices are good for 10 days from published date.

Prepared for: Wade Kretsinger

Village of Gilberts

Prepared by: Michael Allison

12/19/2023



Gjovik Ford, Inc. | 12950 E. US Route 34 Plano Illinois | 60545

2024 F-750 Diesel Regular Cab Base (F7D)

Price Level: 425 | Quote ID: Stk9261

<i>As Configured Vehicle</i>	MSRP
Gray	N/C
Voltmeter	\$100.00
Air Brakes (4 WHEEL DISC) w/Traction Control	\$3,755.00
<hr/>	
SUBTOTAL	\$90,045.00
Destination Charge	\$2,495.00
<hr/>	
TOTAL	\$92,540.00

Prices and content availability as shown are subject to change and should be treated as estimates only. Actual base vehicle, package and option pricing may vary from this estimate because of special local pricing, availability or pricing adjustments not reflected in the dealer's computer system. See salesperson for the most current information.

Note: Prices are good for 10 days from published date.

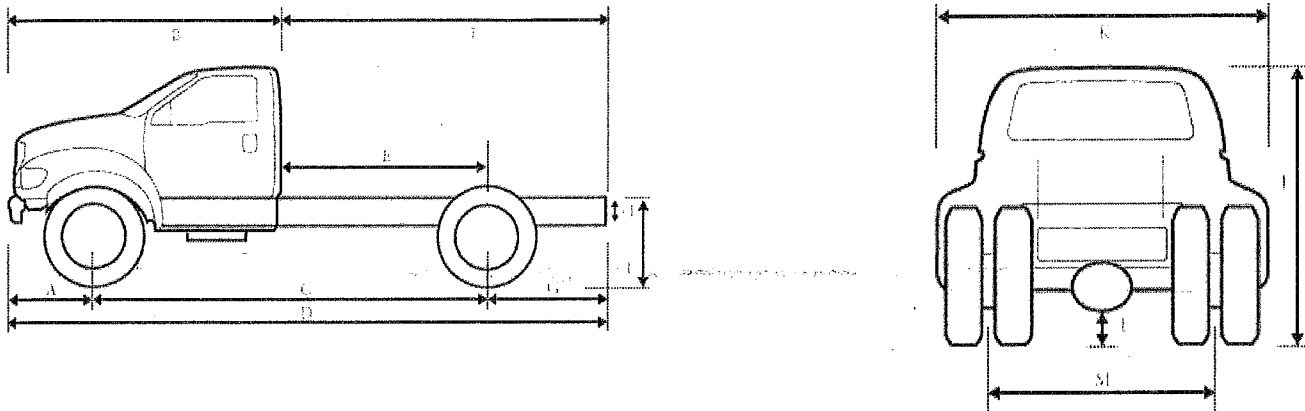


2024 F-750 Diesel Regular Cab Base (F7D)

Price Level: 425 | Quote ID: Stk9261

Vehicle Dimension and Performance Summary

Performance predictions in this report represent an estimate of vehicle performance based on standard operating conditions. Variations in customer equipment, load configuration, ambient conditions, and/or operator driving techniques can cause significant variations in vehicle performance. These values are not representative of results that may be shown in actual dynamometer tests. This report should therefore be used as a guide for comparative vehicle performance.



Dimensions

A	Front of Bumper to Front Axle	39.00 in.
B	Front Bumper to Back of Cab (BBC)	113.00 in.
C	Wheelbase (WB)	158.00 in.
D	Overall Length (OAL)	246.00 in.
E	Back of Cab to Rear Axle (CA)	84.00 in.
F	Back of Cab to End of Frame	133.00 in.
G	Rear Axle to End of Frame (AF)	49.00 in.
H	Frame Section Height	10.40 in.
I	Rear Frame Height Unloaded	38.20 in.
I	Rear Frame Height Loaded	36.80 in.
J	Cab Height	94.90 in.
K	Body Width	96.70 in.
L	Maximum Ground Clearance	N/A
L	Minimum Ground Clearance	N/A
M	Front Tread	83.50 in.
M	Rear Tread	72.70 in.

Prices and content availability as shown are subject to change and should be treated as estimates only. Actual base vehicle, package and option pricing may vary from this estimate because of special local pricing, availability or pricing adjustments not reflected in the dealer's computer system. See salesperson for the most current information.

Note: Prices are good for 10 days from published date.

Prepared for: Wade Kretsinger

Village of Gilberts

Prepared by: Michael Allison

12/19/2023

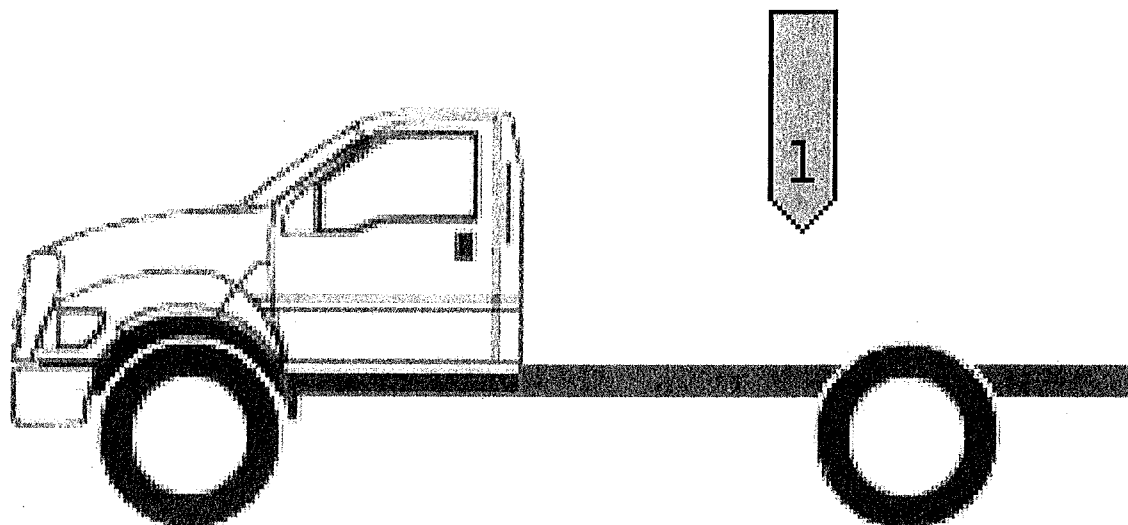


Gjovik Ford, Inc. | 12950 E. US Route 34 Plano Illinois | 60545

2024 F-750 Diesel Regular Cab Base (F7D)

Price Level: 425 | Quote ID: Stk9261

Vehicle Dimension and Performance Summary (cont'd)



Weight

Licensing

GVWR exceeds 26,000 lbs and requires a Commercial Driver's License (CDL). Contact your local state commercial driver licensing office for specifics on what your state requires.

GVW	Front Axle	Rear Axle	Totals
Chassis	6,788 lbs	3,993 lbs	10,781 lbs
Body	0 lbs	0 lbs	0 lbs
Occupants Weight	200 lbs	100 lbs	300 lbs
1 Max Payload - (Max Payload)	3,012 lbs	16,907 lbs	19,919 lbs
TOTAL	10,000 lbs	21,000 lbs	31,000 lbs

Ratings	Front Axle	Rear Axle	GVWR
GAWR	10,000 lbs	21,000 lbs	31,000 lbs
Wheels/Tires	12,350 lbs	23,360 lbs	
Suspension	10,000 lbs	23,000 lbs	
Axle	10,000 lbs	21,000 lbs	
Legal Axle Limit	0 lbs	0 lbs	

Prices and content availability as shown are subject to change and should be treated as estimates only. Actual base vehicle, package and option pricing may vary from this estimate because of special local pricing, availability or pricing adjustments not reflected in the dealer's computer system. See salesperson for the most current information.

Note: Prices are good for 10 days from published date.

Prepared for: Wade Kretsinger

Village of Gilberts

Prepared by: Michael Allison

12/19/2023



Gjovik Ford, Inc. | 12950 E. US Route 34 Plano Illinois | 60545

2024 F-750 Diesel Regular Cab Base (F7D)

Price Level: 425 | Quote ID: Stk9261

Vehicle Dimension and Performance Summary (cont'd)

Start, Grade and Speed

Shift Indicator

Vehicle equipped **without** Park Pawl. Shift indicator will display **RNDM**.

Start	Ratio	Desired	Calculated
Start grade capability in 1st gear	4.62	15.00 %	31.88 %
Start grade capability in reverse	4.70	15.00 %	32.44 %
Grade	Ratio	Desired	Calculated
Maximum grade in 8th gear	0.85	3.00 %	5.96 %
Maximum grade in 9th gear	0.69	3.00 %	4.81 %
Maximum grade in 10th gear	0.63	3.00 %	4.43 %
Speed		Desired	Calculated
Top Speed (level grade)		75 mph	98 mph
<i>To meet your requirement you need a maximum axle ratio of 8.47</i>			
Top Speed on 3% grade		55 mph	
<i>To meet your requirement you need a maximum of 189 hp</i>			
Cruise Speed		60 mph	68 mph
Engine RPM at desired cruise speed			2,025 rpm

Prices and content availability as shown are subject to change and should be treated as estimates only. Actual base vehicle, package and option pricing may vary from this estimate because of special local pricing, availability or pricing adjustments not reflected in the dealer's computer system. See salesperson for the most current information.

Note: Prices are good for 10 days from published date.

Prepared for: Wade Kretsinger

Village of Gilberts

Prepared by: Michael Allison

12/19/2023



Gjovik Ford, Inc. | 12950 E. US Route 34 Plano Illinois | 60545

2024 F-750 Diesel Regular Cab Base (F7D)

Price Level: 425 | Quote ID: Stk9261

Vehicle Dimension and Performance Summary (cont'd)

Variables in Use

Start

Rear axle ratio:	6.50	Clutch engagement torque:	363 ft.lbs.
Tire size:	11R22.5 (493 rev/mile)	Torque conversion ratio:	1.97
Gross Vehicle Weight (GVW):	31,000 lbs		

Grade

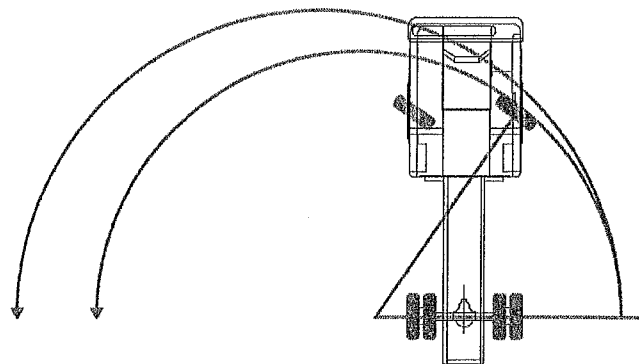
Rear axle ratio:	6.50	Gross Vehicle Weight (GVW):	31,000 lbs
Tire size:	11R22.5 (493 rev/mile)	Peak engine torque:	725 ft.lbs.

Speed

Engine Power:	300 hp @ 2,500 rpm	Worst road surface	Typical Highway
Governed RPM:	3,300 rpm	Final Drive Ratio:	0.63
Frontal Area:	57.68 Sq.Ft.	Drag Coefficient	0.80
Cruising RPM	2,300 rpm		

Turning Radius

Turning radius to curb:	21.92 ft
Turning radius to bumper:	23.49 ft



Prices and content availability as shown are subject to change and should be treated as estimates only. Actual base vehicle, package and option pricing may vary from this estimate because of special local pricing, availability or pricing adjustments not reflected in the dealer's computer system. See salesperson for the most current information.

Note: Prices are good for 10 days from published date.